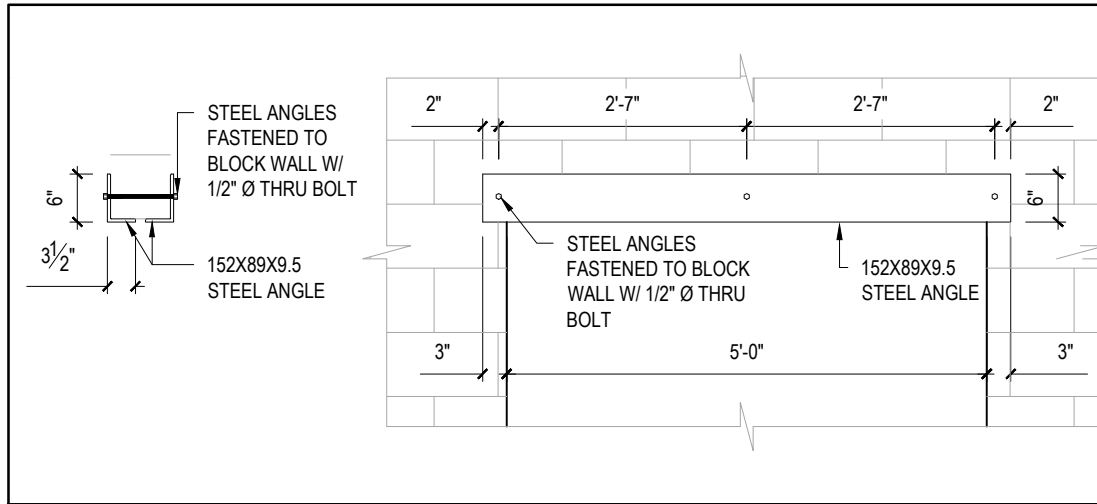


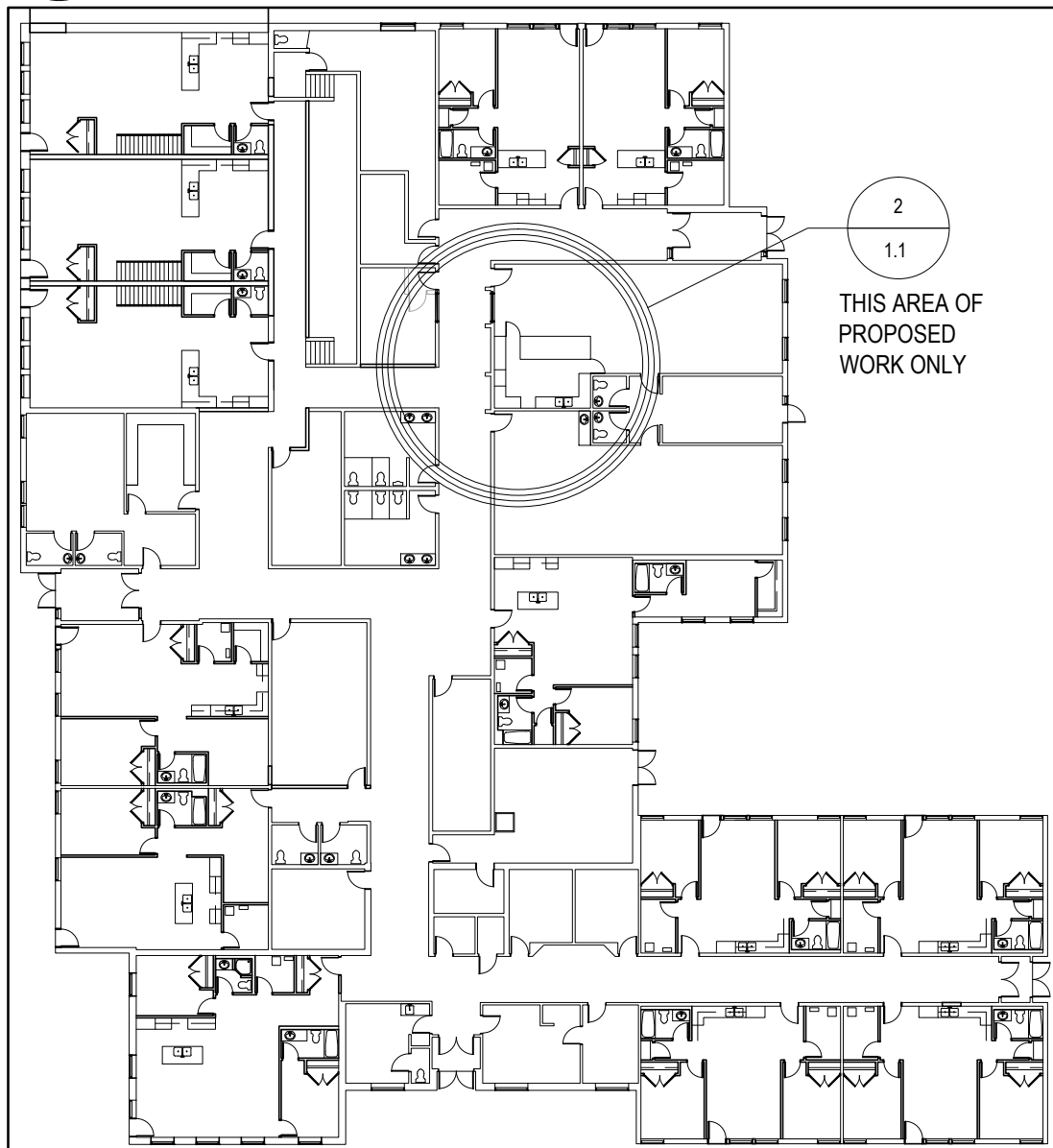


SAULTEAUX CONSULTING & ENGINEERING

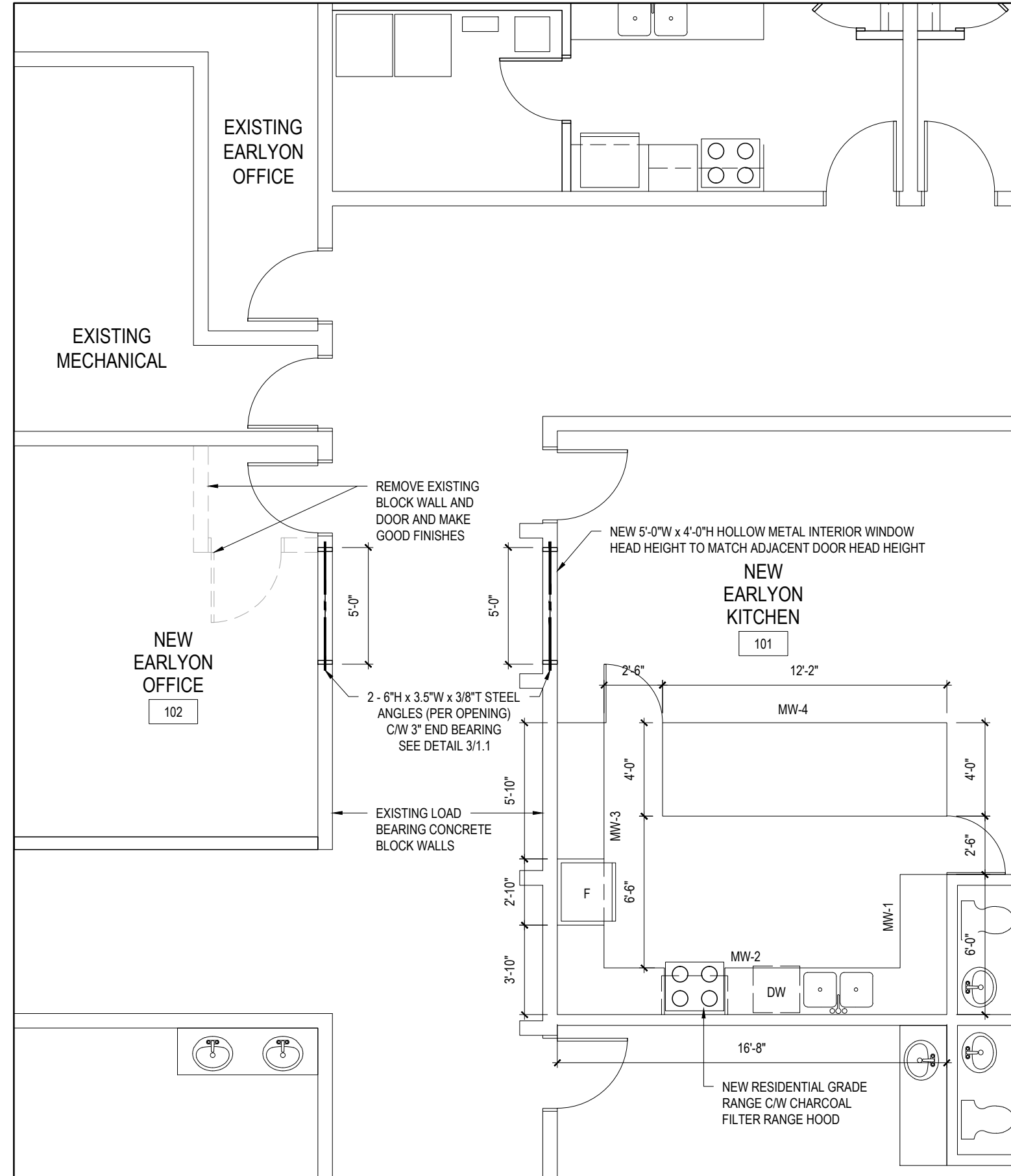
SITE 206-207 RR#2
FORT FRANCES, ONTARIO
P9A 3M3
1-807-274-7114



3 STEEL LINTEL DETAIL
1.1 SCALE: 1/2" = 1'-0"



1 KEY PLAN
1.1 SCALE: 1/32" = 1'-0"



2 FLOOR PLAN
1.1 SCALE: 3/16" = 1'-0"

NO.	DESCRIPTION	YR/MM/DD
2	ISSUED FOR PRICING	23/03/13
1	CLIENT REVIEW	22/11/23

RRDSSAB
EARLYON
RENOVATIONS

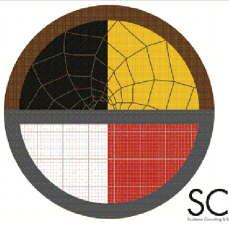
RAINY RIVER DISTRICT SOCIAL SERVICES
ADMINISTRATIVE BOARD
820 FIFTH STREET EAST, FORT FRANCES, ONTARIO

SHEET TITLE:
KEY PLAN
PARTIAL FLOOR PLAN
LINTEL DETAIL

SCALE:	AS SHOWN
DRAWN BY:	MD
CHECKED BY:	TB
PROJECT NO.:	22-059
REVISION NO.:	-
PROJECT START DATE:	2022-11-08

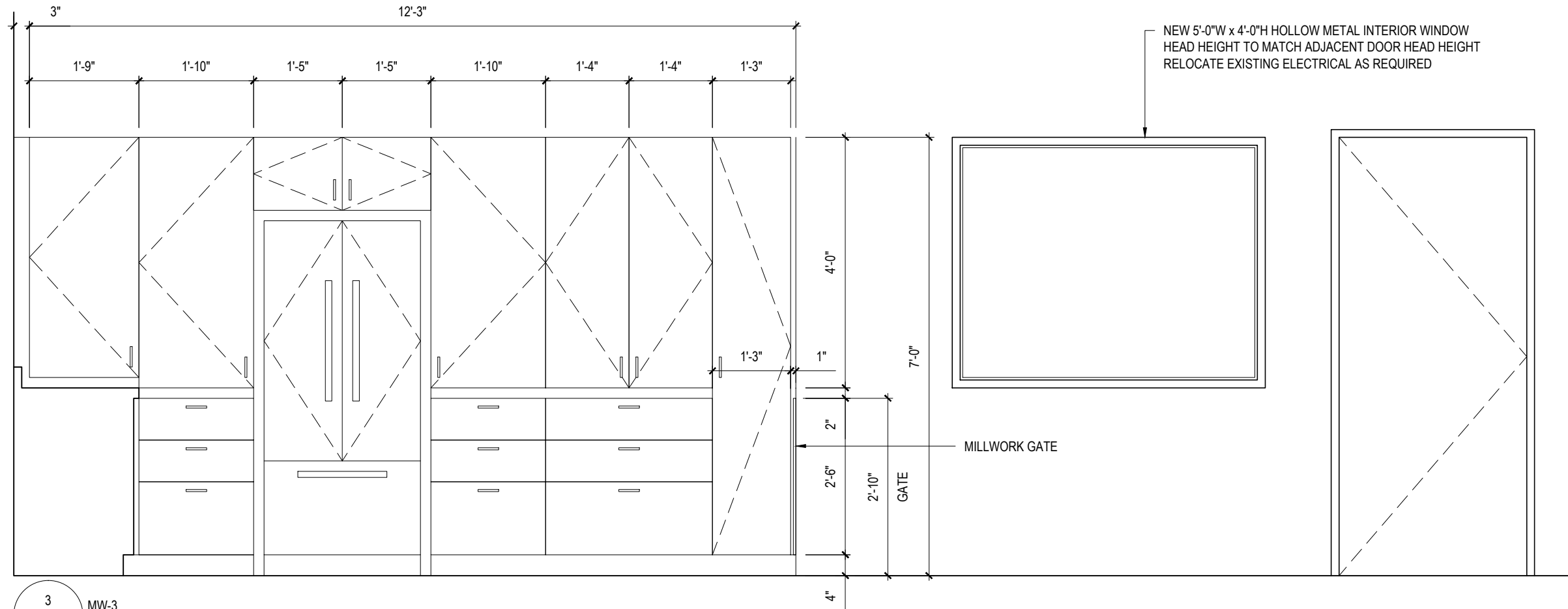
SHEET NO.

1.1

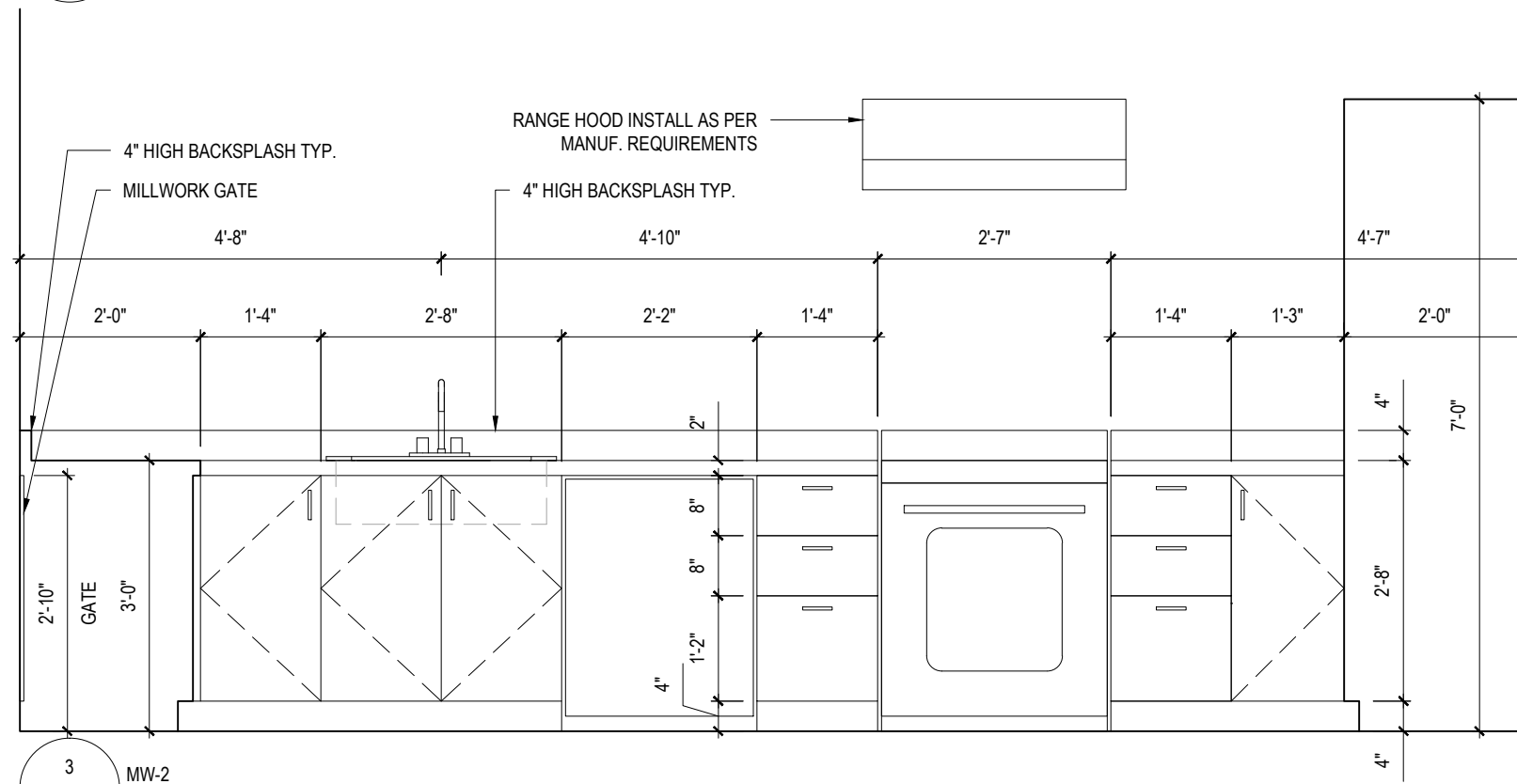


SAULTEAUX CONSULTING & ENGINEERING

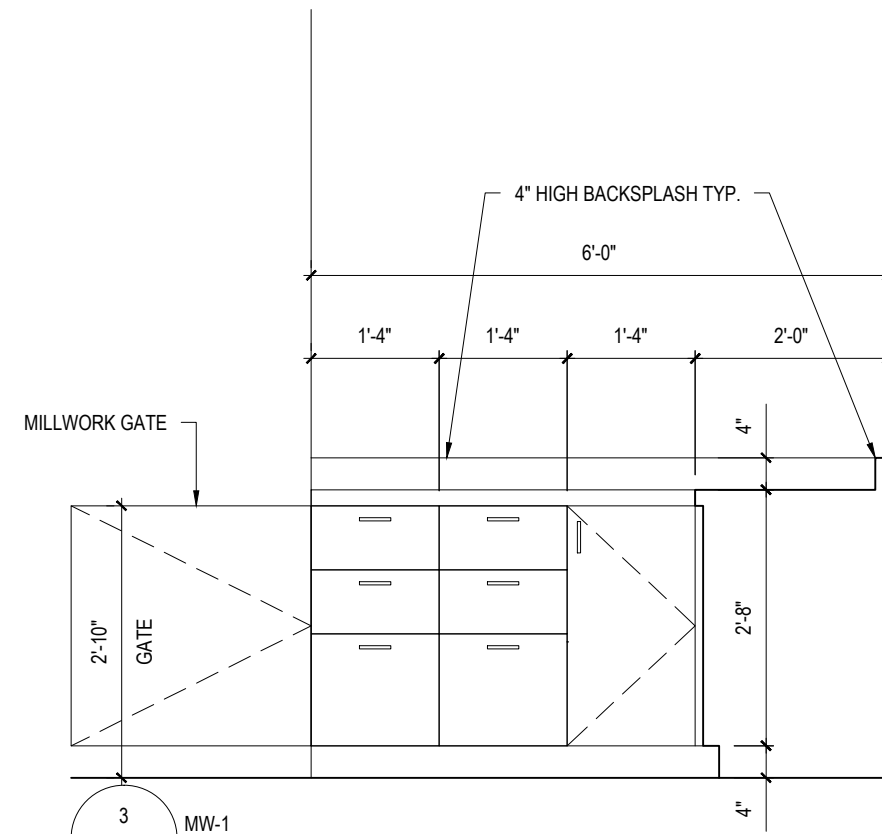
SITE 206-207 RR#2
FORT FRANCES, ONTARIO
P9A 3M3
1-807-274-7114



3 MW-3
2.1 SCALE: 1/2" = 1'-0"



3 MW-2
2.1 SCALE: 1/2" = 1'-0"



3 MW-1
2.1 SCALE: 1/2" = 1'-0"

NO.	DESCRIPTION	YR/MM/DD
2	ISSUED FOR PRICING	23/03/13
1	CLIENT REVIEW	22/11/23

RRDSSAB
EARLYON
RENOVATIONS

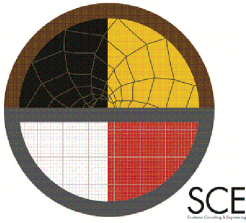
RAINY RIVER DISTRICT SOCIAL SERVICES
ADMINISTRATIVE BOARD
820 FIFTH STREET EAST, FORT FRANCES, ONTARIO

SHEET TITLE:
MILLWORK DETAILS
MW-1
MW-2
MW-3

SCALE: AS SHOWN
DRAWN BY: MD
CHECKED BY: TB
PROJECT NO.: 22-059
REVISION NO.:
PROJECT START DATE: 2022-11-08

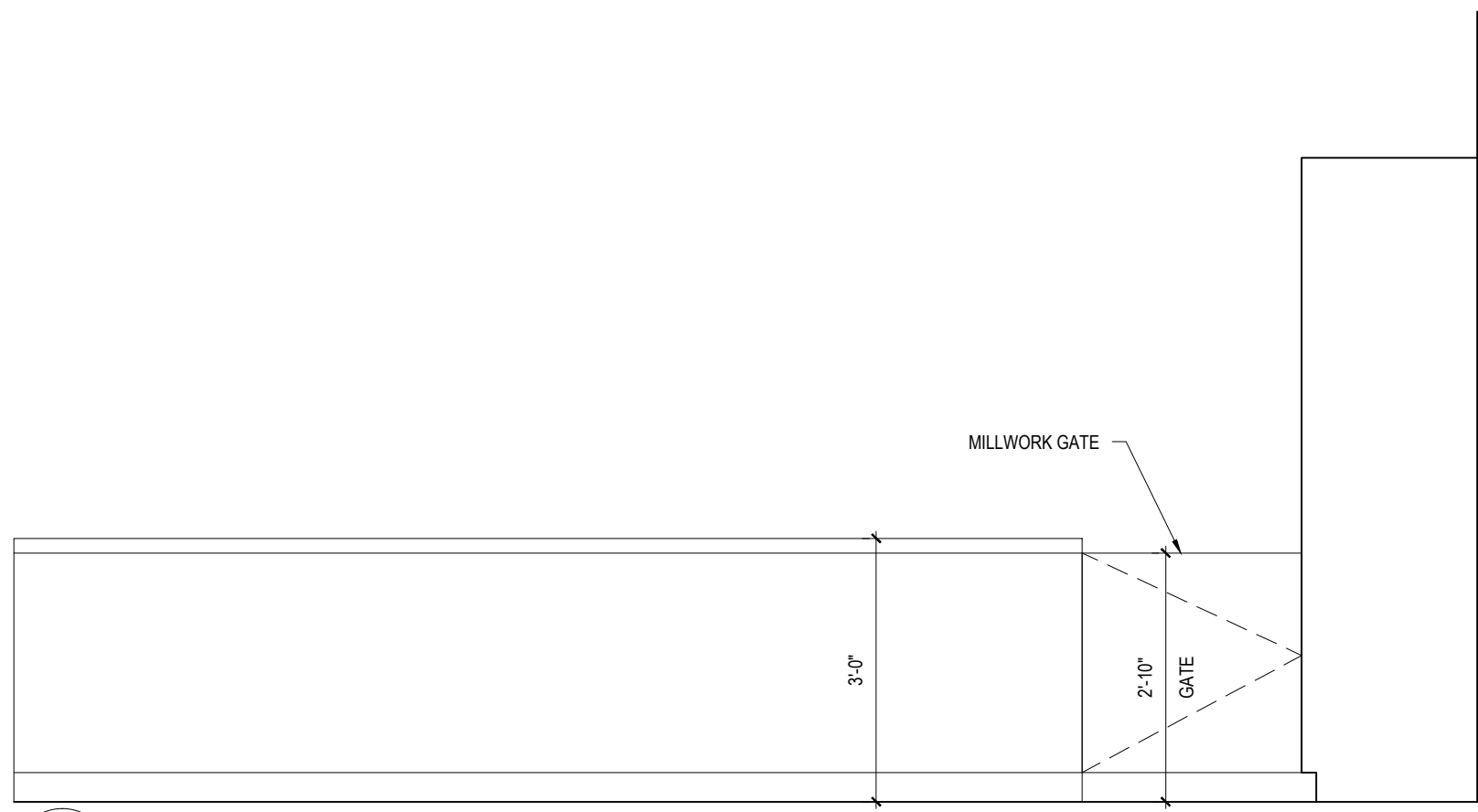
SHEET NO.

FILE PATH: Z:\PROJECTS\2022\2022-08-RRDSSAB 01-Millwork_Earlyon\Drawings\20220815_RRDSSAB_Earlyon\04-MW_GATE_DATE: November 20, 2022

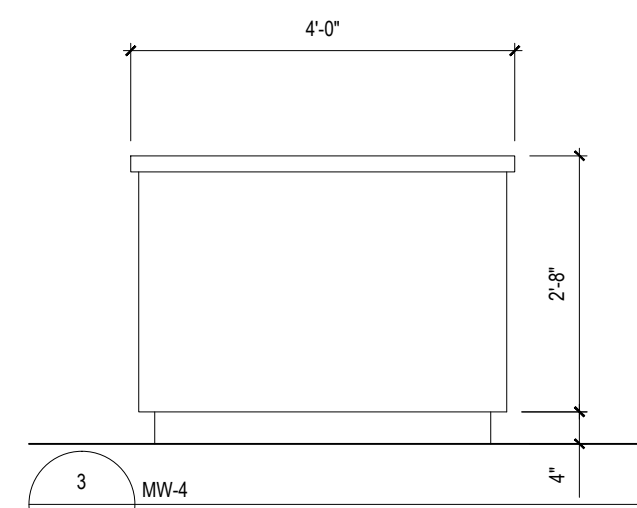


SAULTEAUX CONSULTING & ENGINEERING

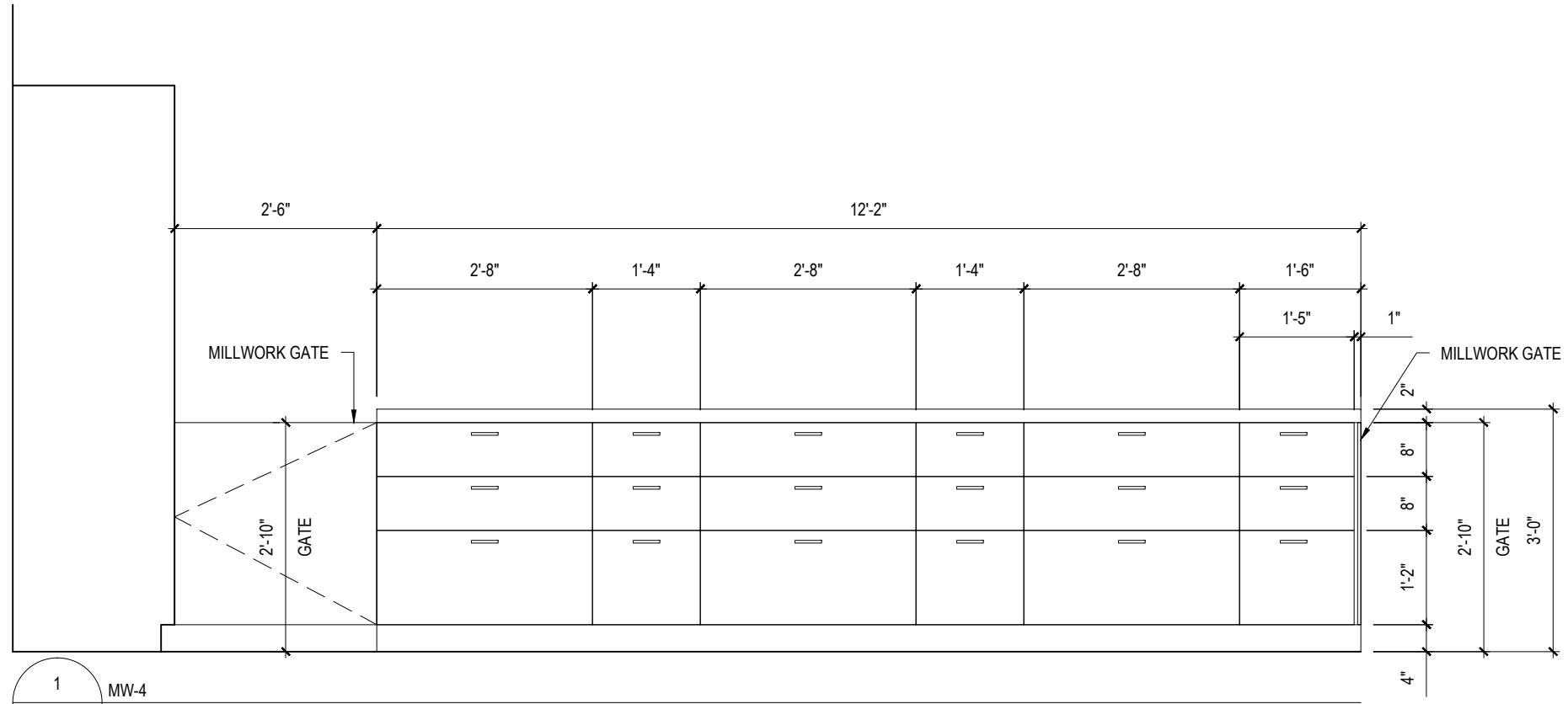
SITE 206-207 RR#2
FORT FRANCES, ONTARIO
P9A 3M3
1-807-274-7114



2 MW-4
2.2 SCALE: 1/2" = 1'-0"



3 MW-4
2.2 SCALE: 1/2" = 1'-0"



1 MW-4
2.2 SCALE: 1/2" = 1'-0"

NO.	DESCRIPTION	YR/MM/DD
2	ISSUED FOR PRICING	23/03/13
1	CLIENT REVIEW	22/11/23

REVISIONS

RRDSSAB
EARLYON
RENOVATIONS

RAINY RIVER DISTRICT SOCIAL SERVICES
ADMINISTRATIVE BOARD
820 FIFTH STREET EAST, FORT FRANCES, ONTARIO

SHEET TITLE:
MILLWORK DETAILS
MW-4

SCALE: AS SHOWN
DRAWN BY: MD
CHECKED BY: TB
PROJECT NO.: 22-059
REVISION NO.: -
PROJECT START DATE: 2022-11-08

SHEET NO.

2.2

FILE PATH: Z:\DC\PROJECTS\2022\2022-08-RRDSSAB-01-Millwork-Earlyon\Drawings\2022-08-RRDSSAB-Earlyon\Millwork-Gate.dwg DATE: November 08, 2022