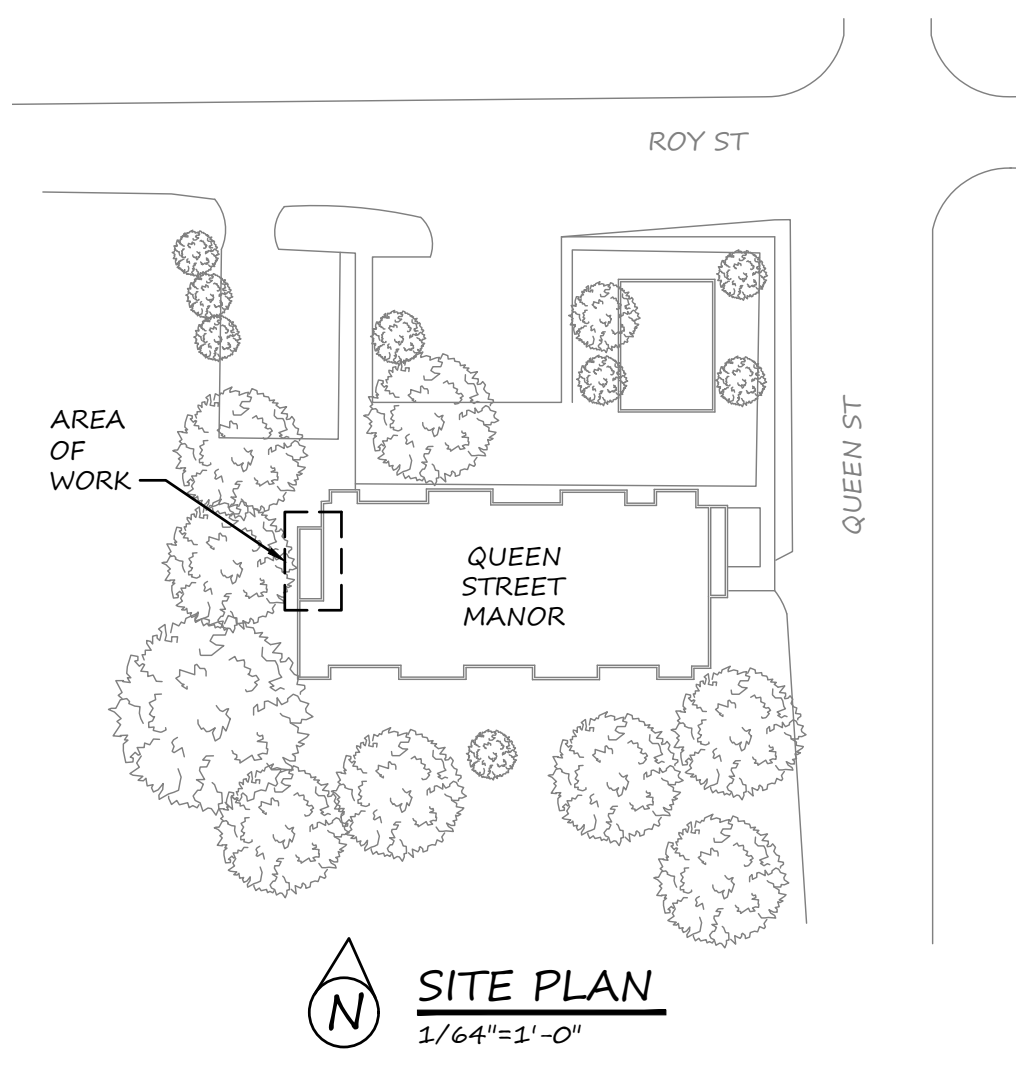
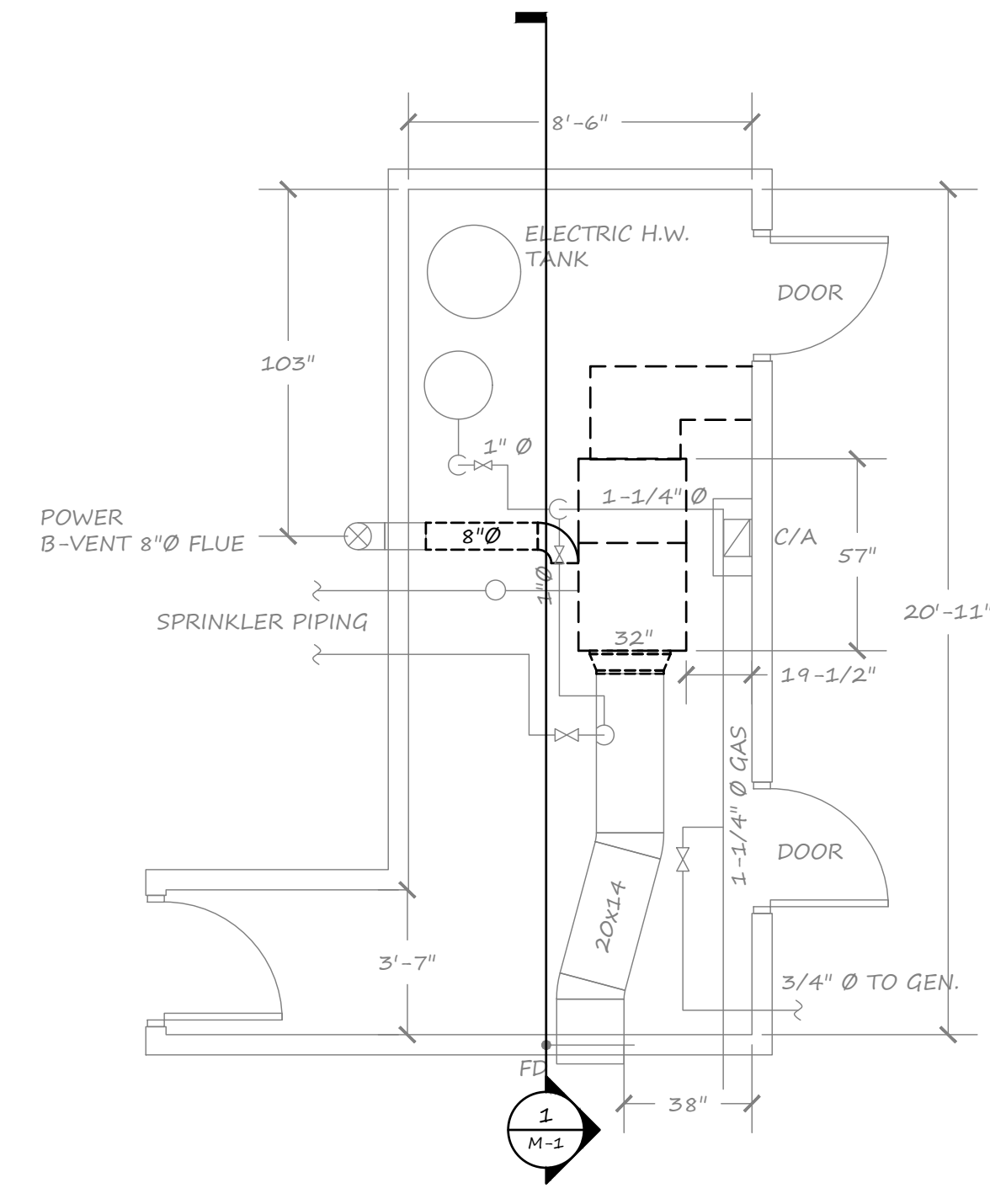


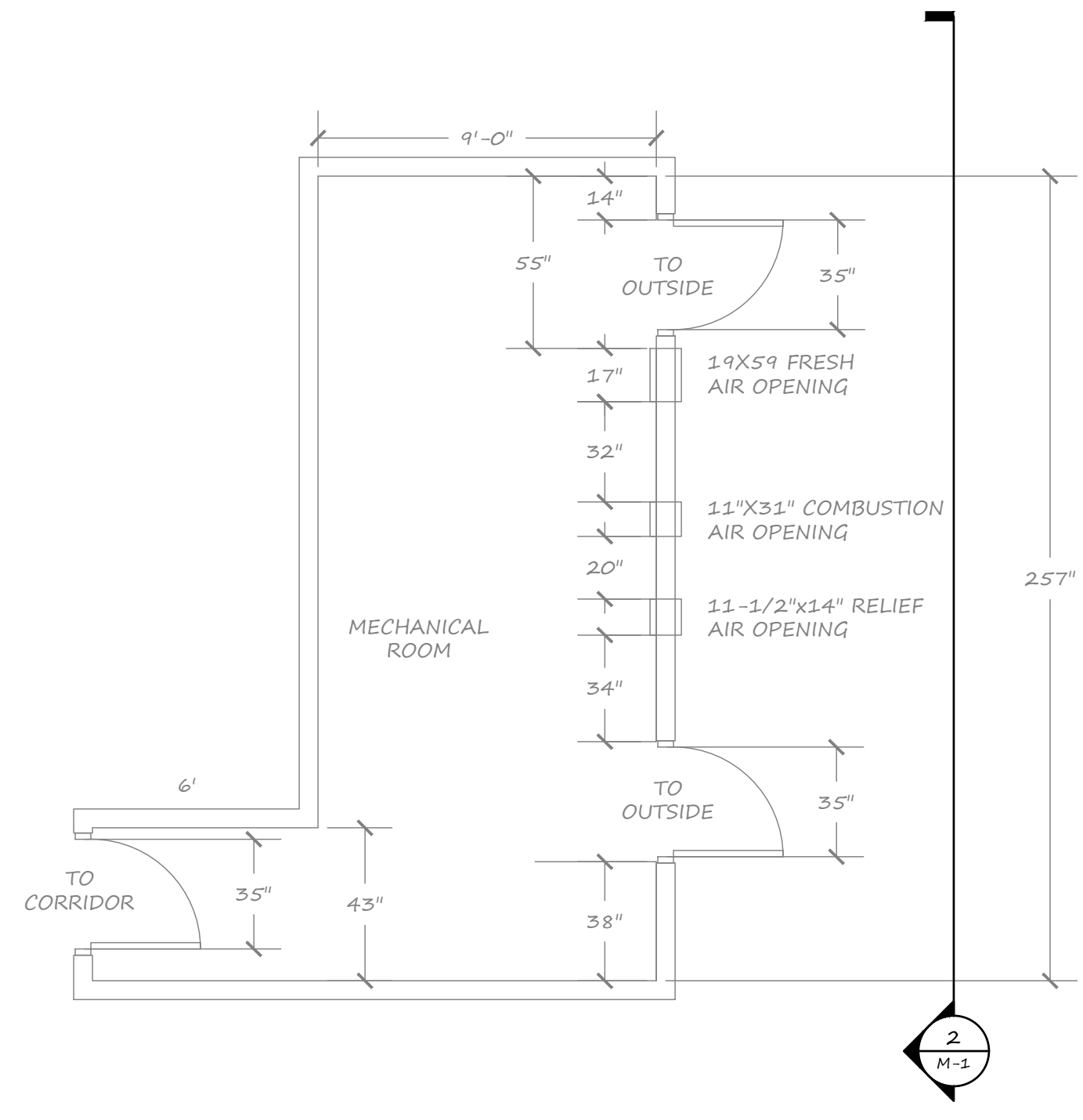
AE-1955 QUEEN ST MUA.dwg



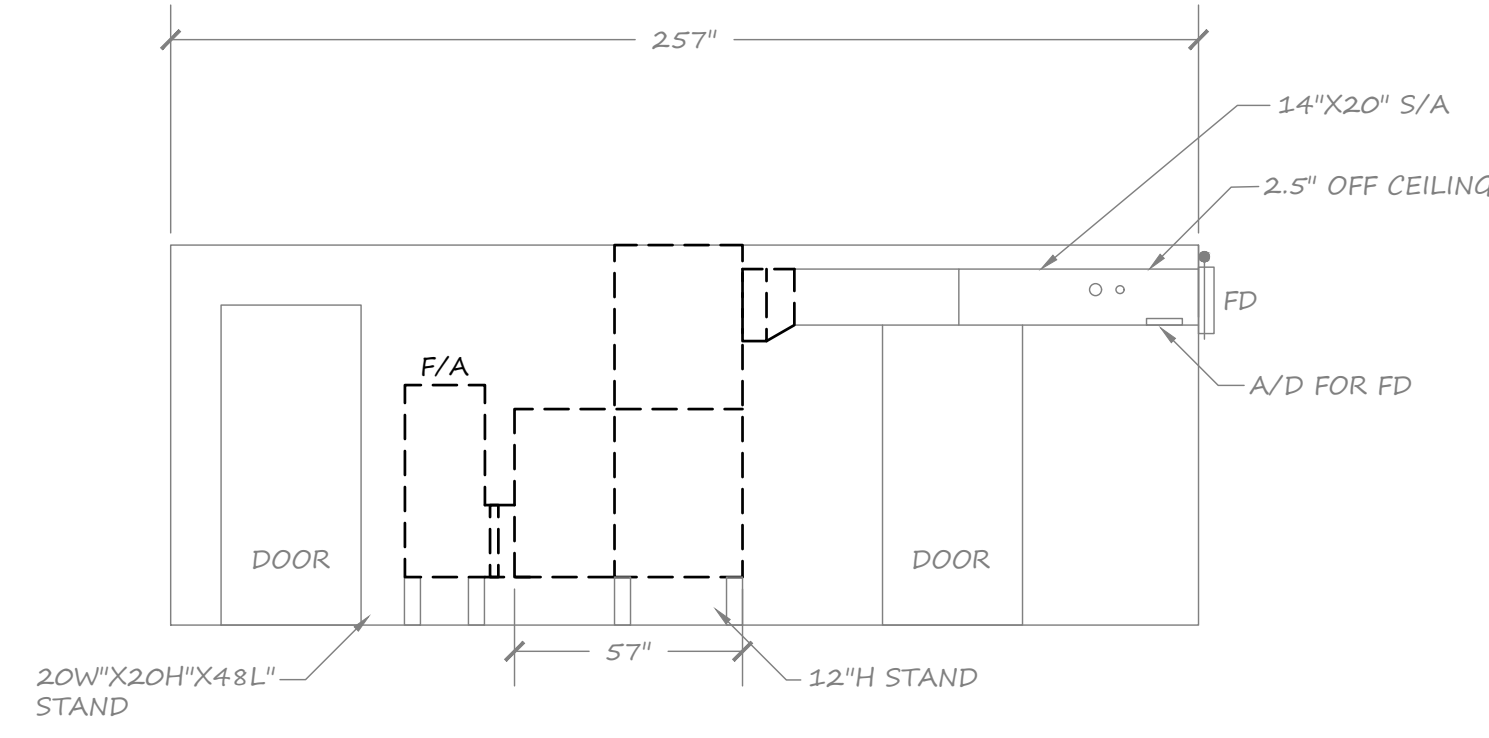
- DEMOLITION NOTES:**
1. REMOVE & DISPOSE OF EXISTING MUA UNIT.
 2. DISCONNECT EXISTING GAS PIPING, ELECTRICAL, CONTROLS AND TIME CLOCK.
 3. DISCONNECT EXISTING FRESH AIR (F/A) DUCT TO ACCOMMODATE REMOVAL OF EXISTING MUA UNIT.
 4. EXISTING MUA & DUCT SUPPORT STAND TO REMAIN.
 5. REMOVE EXISTING 8"Ø INSULATED B-VENT CHIMNEY AT MECHANICAL ROOM WALL.
 6. REMOVE EXISTING 2P-30A BREAKER & WIRING.
 7. EXISTING TIME CLOCK TO BE REUSED.



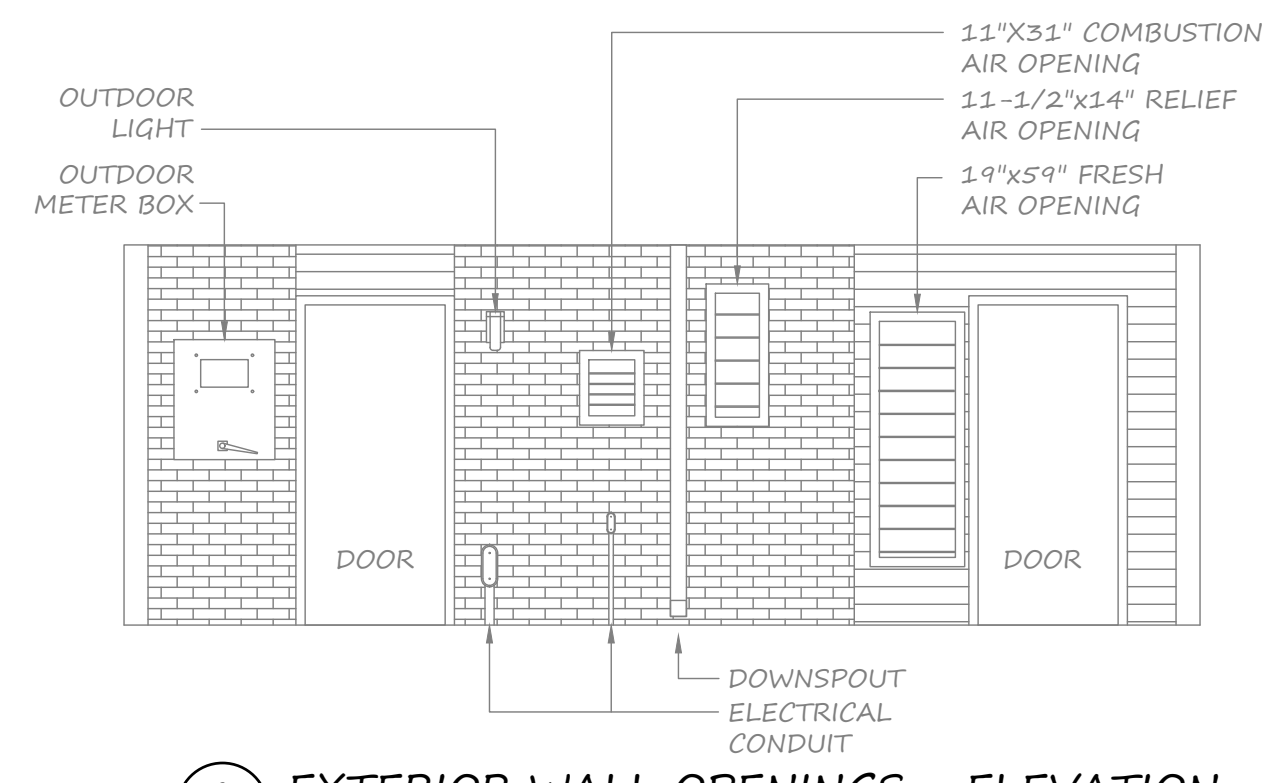
N
MECHANICAL ROOM - DEMO
1/4"=1'-0"



N
MECHANICAL ROOM EXISTING DOOR & WALL OPENINGS
1/4"=1'-0"



1
M-1
MUA DEMO - ELEVATION
1/4"=1'-0"



2
M-1
EXTERIOR WALL OPENINGS - ELEVATION
1/4"=1'-0"

0	ISSUED FOR PERMIT & TENDER	10/31/19
No.	Revision/Issue	MM/DD/YY

Firm Name

Seal

www.ableenergy.ca
807-627-4259
info@ableenergy.ca

Drawing Description
RAINY RIVER DISTRICT SOCIAL SERVICES ADMINISTRATION BOARD
 450 SCOTT ST.
 FORT FRANCES, ON

Project Name and Address
QUEEN STREET MANOR
 MAKE-UP AIR DEMOLITION
 31 QUEEN ST
 EMO, ON POW 1E0

Project	AE-1955	Sheet	M-1
Date	OCTOBER, 2019		
Scale	AS SHOWN		